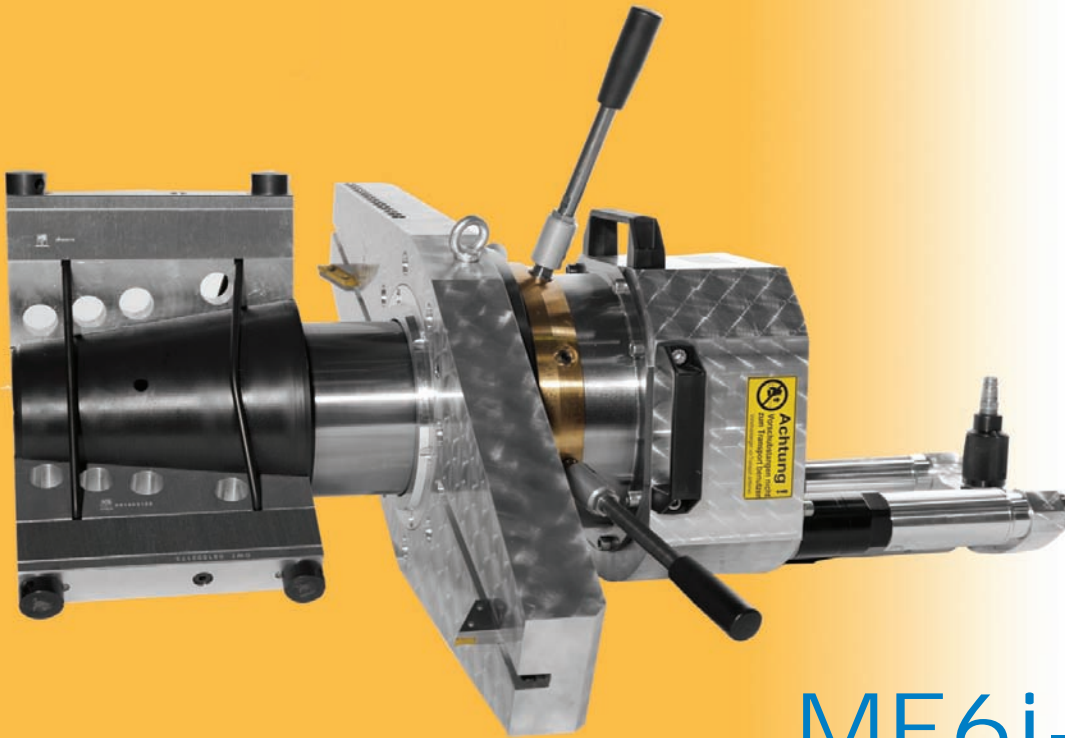


PIPE BEVELING MACHINE

Pipe beveling machines for weld preparation of pipe end in pipe welding

- High cutting capacity
- Quick and secure clamping
- Rugged and compact type of construction
- Low weight due to aluminium housing
- Easy operating and clamping

Video
of application



MF6i-50

Field of application

The pipe beveling machines are used for weld preparation of the pipe end in pipe welding applications. The portable machine is used for facing and beveling the pipe edge. Especially for heavy wall pipe the pipe machining is fast and accurate. Pipe beveling and facing can be done in one operation with special tool holders. Operated by one man the pipe beveling machines can be used in the workshop and on site with low weight due to aluminum construction. High speed beveling and facing with special tool bits provides economical manufacturing of pipes, tubes and headers.

TECHNICAL DATA

of pipe beveling machine for weld preparation

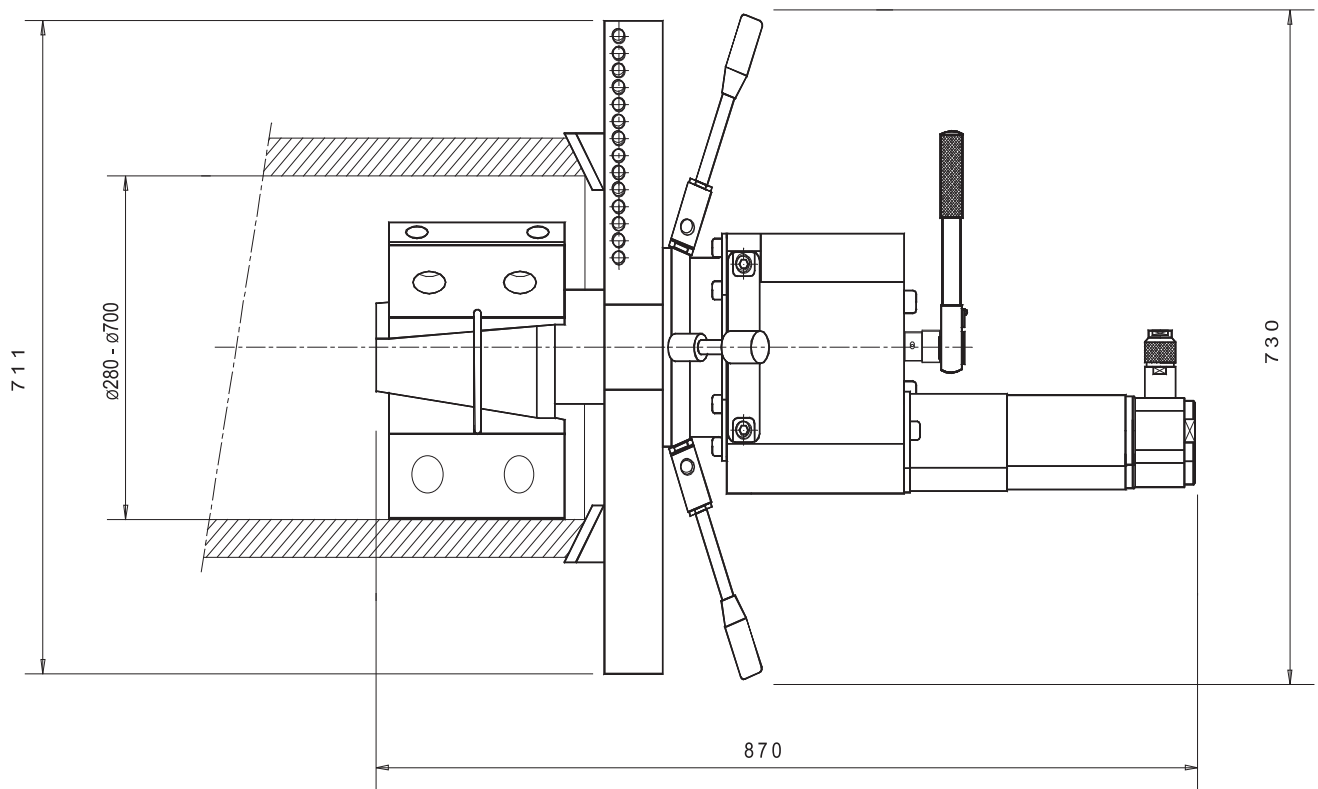
Working range:

Pipe outside diameter:	max. 711 mm
Pipe inside diameter:	min. 280 mm
Pipe wall thickness*:	max. 32 mm
Spindle stroke:	50 mm
Weld preparation form of pipe end (depends on pipe welding process):	facing, beveling of butt weld and J prep weld
Feed:	manual

Technical Data:

Drive:	3 geared air motors
Operating pressure:	6 - 7 bar
Power:	2220 W at 6 bar
Air consumption:	2,9 m ³ /min
Weight:	approx. 79 kg

MF 6i-50



PIPE BEVELING AND FACING TOOLS FOR WELD PREPARATION

for portable pipe beveling machine type MF6i-50



091501105
 HSS
 Pipe facing and pipe
 bevel tool tip 0°



091501106
 HSS
 Pipe facing and pipe bevel
 tool tip 0° (TIN)



091501415
 HSS
 Pipe facing and pipe
 bevel tool tip 30°



091501416
 HSS
 Pipe facing and pipe
 bevel tool tip 30° (TIN)



091500665
 Pipe preparation tool tip
 holder 10°
 internal



091501413
 Pipe preparation tool tip
 holder 0°
 (short)



091502125
 Pipe preparation tool tip
 holder 0°
 (long)



091501414
 Pipe preparation tool tip
 holder 30°



091502185
 10° - internal
 pipe bevel



091502186
 8° - internal
 pipe bevel



091502126
 0° - HSS blade
 (long)



091501410
 0° - HSS blade
 (short)



091502191
 30° - HSS blade



091502134
 DIN 2559-4



091502133
 DIN 2559-3



091502128
 DBS 34-R3



091502127
 DBS 34-R5

Special pipe chamfer blades on request!