

PIPE CHAMFERING AND FACING MACHINE

Pipe chamfering machines for pipe preparation of pipe edge in pipe welding

- High cutting capacity
- Quick and secure clamping
- Rugged and compact type of construction
- Easy handling
- Low price at high quality

Video
of application



MF3-R

Field of application

The portable pipe chamfering and facing machines are used for pipe preparation of the pipe edge in pipe welding applications. The portable machine is used for facing and chamfering the pipe end. Especially for heavy wall pipe the pipe machining is fast and accurate. Pipe chamfering and facing can be done in one operation with special tool holders. Operated by one man the pipe beveling machines can be used in the workshop and on-site with low weight due to aluminium construction. High speed chamfering and facing with special tool bits provides economical manufacturing of pipes, tubes and headers. The machines can be also used for weld preparation in orbital welding.

TECHNICAL DATA

Working range:

Pipe outside diameter:	min. 12,0 mm max. 44,5 mm
Pipe wall thickness*:	max. 10,0 mm
Spindle stroke:	15,0 mm
Pipe preparation form of pipe edge (depends on pipe welding process):	facing, chamfering of butt weld and U prep weld

Weight:

with pneumatic drive:	approx. 4,8 kg
with electric drive:	approx. 6,0 kg

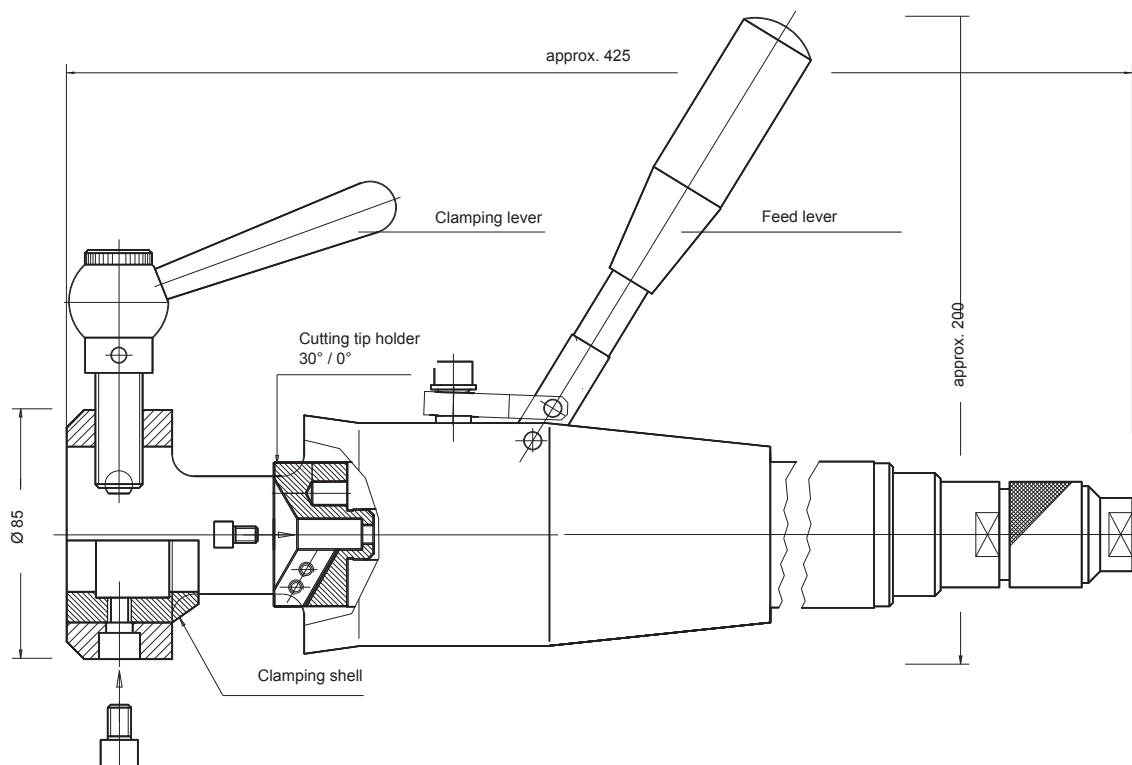
Pneumatic geared motor:

Power:	740 W at 6 bar / 400 W at 4 bar
Air consumption:	0,96 m ³ /min
Compressed air connection:	R 1/4"
Feed:	manual

Electric geared motor:

Power consumption/Connection voltage:
abt. 1200W with 230 V

~ (singlephase-alternating current)
Protective class
II – all-insulatet



PIPE CHAMFERING AND FACING TOOLS FOR PIPE PREPARATION

for portable pipe chamfering machine Type MF3-R



091501105
 HSS
 Pipe facing and pipe
 bevel tool tip 0°



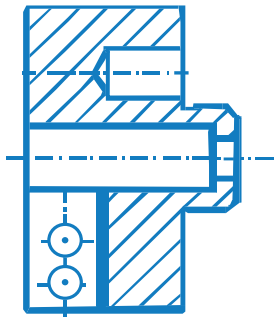
091501028
 HSS
 Pipe facing and
 pipe bevel tool tip
 30°



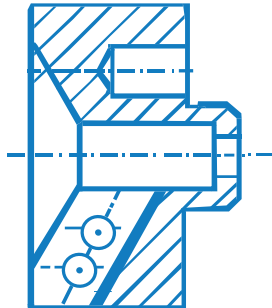
091501106
 HSS
 Pipe facing and pipe
 bevel tool tip 0° (TIN)



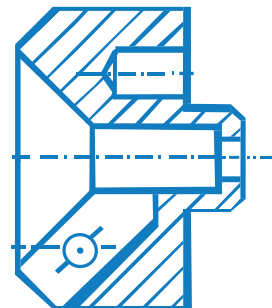
091501108
 HSS
 Pipe facing and pipe bevel
 tool tip 30° (TIN)



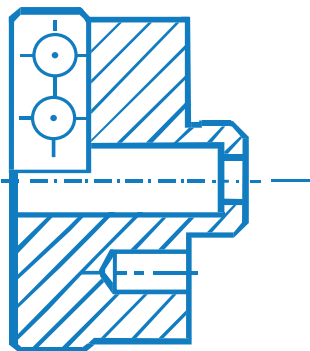
091502825
 Pipe preparation tool
 tip holder 0°



091502824
 Pipe preparation tool
 tip holder 30°



091502999
 Pipe preparation tool
 tip holder 45°



091502870
 Chamfering tool holder for
 special blades



Special pipe edge blades and chamfering
 tools on request!