

Innovation
drives
performance

PIPE BEVELING MACHINE

Pipe beveling machines for weld prep

- Ergonomic
- No noise, dust, sparks
- Accurate repetitive work
- Fast setup
- Powerfull and durable
- High productivity
- High quality weld prep



MF4i



Low weight



Perfect tooling



Strong motor



Long lifetime

TECHNICAL DATA

of pipe beveling machine MF4i ID mount

Field of applications



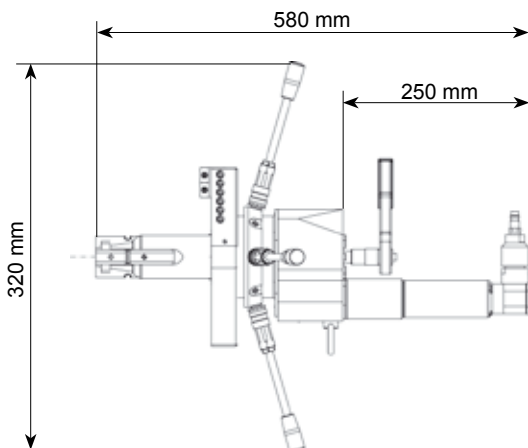
The pipe beveling machine is used for weld prep of tube and pipe end in pipe welding applications. Especially for heavy wall pipes the machining is fast and accurate. Pipe beveling and facing can be done in one operation with special tool holders. Operated by one worker the pipe beveling machine can be used in the workshop and on site with low weight due to aluminum construction. High speed beveling and facing with special tool bits provides economical manufacturing of pipes, tubes and headers.



Specifications

Specifications MF4i			2 Pneumatic Motors		
Clamping range ID-ID	58 - 217 mm	2,283 - 8,543"	Power	1.480W	1,9 HP
Working range ID-OD	58 - 219,1 mm	2,283 - 8,626"	Air pressure	6 bar(g)	87 psi
Max. wall-thickness	25 mm	0,984"	Air consumption	1,92 m ³ /min	70,4 cfm
Feed	30 mm	1,181"	Air hose connection	3/8"	3/8"
Weight with pneumatic motor	17,9 kg	39,5 lbs	Features	speed control	
Weld prep	facing, V-prep, J-prep, counter boring				
Materials	steel, stainless steel, duplex, high alloyed				
Tooling	tool bits, TiN inserts, custom bits				
Machine body	Aluminium alloy				

Dimensions



Options



Special tool for beveling elbows

